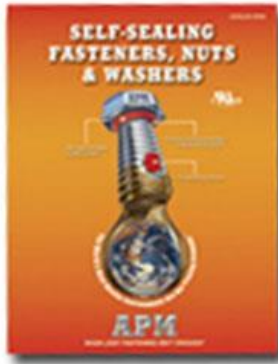




Edition 272 September 2015 | [Self-Sealing Fasteners](#) | [Sealing Boots Division](#)



[Request Boot Samples](#)



[Request Fasteners](#)

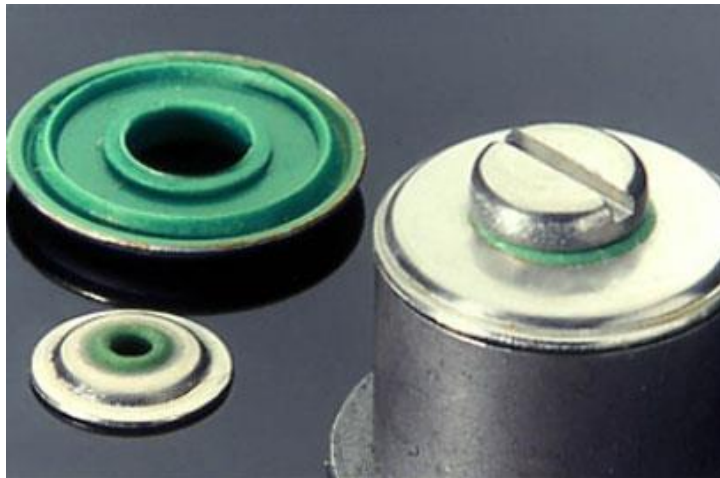


[Watch All Videos](#)



## ASK APM

**Seoloc® washers are manufactured only by APM. What are Seoloc® washers?**



[Seoloc® washers](#) are APM's line of self-sealing washers that are reusable as well as vibration-resistant. APM's Seoloc® washers are 18.8 stainless steel with a silicone rubber [\(other materials available\)](#) section that is molded and bonded to the washer. Upon compression, the molded, dish shaped silicone rubber sealing disc makes full 360° horizontal surface contact from the hub to the mounting hole. The silicone rubber also makes full vertical contact with the screw/bolt, shank/threads which completes a high pressure seal. The Seoloc® silicone contact surface landscape features a continuous ridge that creates a contoured sealing barrier.

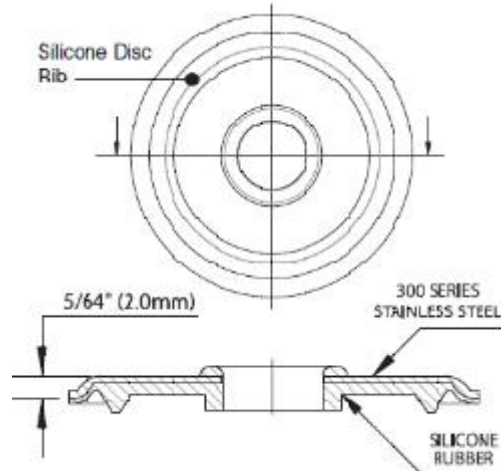


[Download Literature](#)



**Toll Free:**  
800-498-9034

**Email:**  
[info@apmhxseal.com](mailto:info@apmhxseal.com)



These washers are designed for use with regular screws, bolts or studs for sealing panels and enclosures having large or irregular clearance holes or slots, and they can also be used to seal openings or protruding mounting holes. Seeloc® washers are UL Recognized (UL Type 4X/6 enclosures) and IP66/68 water ingress rated.

Seeloc® Washer technology is perfect for any securing application where spray, vapors or wash-down is present, and where future maintenance may be concerned due to contaminant exposure from salt spray, ozone, UV, lubricants, cleaning solvents, etc.

## DID YOU KNOW?

**APM Seeloc® Washers are available in imperial and metric sizes.**

APM's self-sealing washers are available in imperial thread sizes ranging from #6 - 1/2", OD's from 1/2" to 1-1/2". The metric washers thread sizes range from M3-M12, OD's from 14.0 mm to 25.4 mm.

See [catalog](#) page 7 for more info.



**DSEI**

15 - 18 September 2015

The World Leading  
Defence & Security Event  
ExCeL, London

See all the APM Hexseal Sealing Products at DSEI at the stand of our premier UK distributor, Air & Marine Products (stand # N3-460)

DSEI brings together the entire defense and security industry to source the latest equipment and systems, develop relationships, and generate new business opportunities.

As the attend event for 2015 with more exhibitors and educational content than ever before, DSEI will give you access to:

- 1,500 international exhibitors an unrivaled range of suppliers from 121 countries
- Specialized Air, Naval, Land, Security, Medical and Unmanned Zones
- 6 dedicated seminar theatres offering free educational sessions and showcases
- Over 40 pavilions including South Korea, Brazil, India, Australia, UK, USA
- Expanded live Waterborne and Unmanned Systems Demonstrations
- Static vehicle displays for land, air and naval sectors - DSEI's biggest offering yet
- International visiting naval ships available to tour
- Unmanned focus - UAS Conference

Visit the DSEI website: <http://www.dsei.co.uk/>

[Download Catalogs](#)

APM Hexseal Corporation [newsletter@apmhexseal.com](mailto:newsletter@apmhexseal.com) | <http://www.apmhexseal.com>

Copyright © 2015. All Rights Reserved.