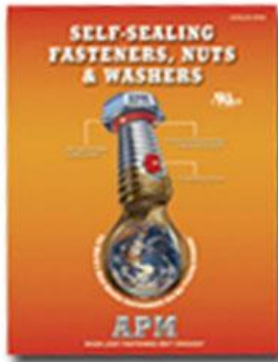




Edition 249, February 2015 | [Self-Sealing Fasteners](#) | [Sealing Boots Division](#)



[Request Boot Samples](#)



[Request Fasteners](#)

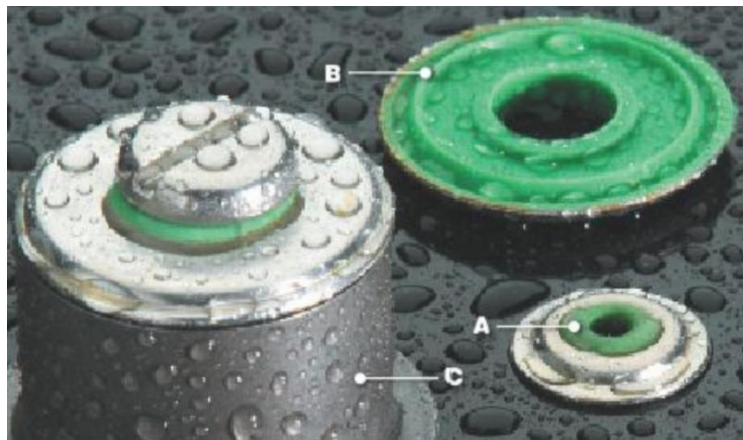


[Watch All Videos](#)

DID YOU KNOW?

GET A LIQUID- AND AIR-TIGHT, VIBRATION-RESISTANT SEAL EVERY TIME

APM Hexseal SEELOC washers are THE ideal UL-Recognized sealing solution in any mechanical, electrical and electronic applications requiring high-performance, air/liquid-tight sealing. Use our SEELOC washers with conventional screws, bolts or studs to complete the sealing and locking action.



Upon compression, the bonded, dish-shaped silicone rubber sealing disc makes full 360 degree horizontal surface contact from the hub to the mounting hole (see A above). The silicon rubber also makes full vertical contact with the screw/bolt shank/threads - thus completing the high- pressure seal. This would be a difficult feat for an ordinary O-Ring, or any sealing washer that does not fully make fastener contact. The



[Download Literature](#)



Toll Free:
800-498-9034

Email:
info@apmhexseal.com



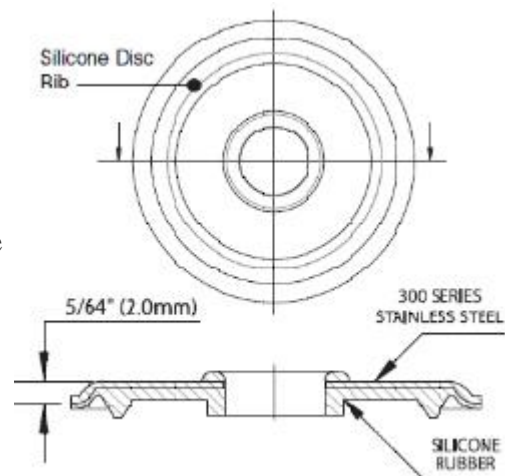
SEELOC silicone contact surface landscape features a continuous ridge (see B), creating a contoured sealing barrier, as well as a periphery locking joint, when used for mounting on a protruding round extended surface (see C).

SEELOC washer technology is perfect for:

- Extra-large holes
- Odd-shaped adjustment slots
- Contaminant exposure (i.e., salt spray, ozone, vapors, UV, lubricants, cleaning solvents, etc.)

SEELOC® washers consist of silicone rubber bonded to formed stainless steel washers, and are designed for a variety of electrical and mechanical applications. SEELOC® washers are

used with conventional screws, bolts or studs to complete the sealing and locking action. UL Recognized (UL Type 4X/6 enclosures) and IP66/68 water ingress rated, SEELOC® is an ideal sealing solution in a wide variety of mechanical, electrical and electronics applications that require high-performance, air/liquid-tight sealing.



ASK APM

WHY NOT JUST USE A LIQUID ADHESIVE FOR SEALING INSTEAD OF YOUR EMBEDDED O-RING SEALING FASTENERS?

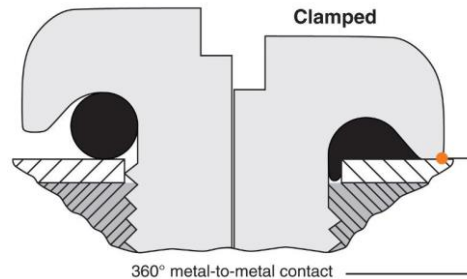


Both technologies share the goal of high-pressure sealing, but that's where the similarities end. The APM [O-Ring washer design](#) provides the user with a pre-assembled, one-piece fastener, ready to be installed in one step-eliminating dependence on the

installer to apply the correct amount of sealant/compound. Its inherent geometric chamber and nested O-Ring creates the perfect solution for maximum sealing and service reusability which is the result of a unique patented asymmetrical-shaped chamber.



Other benefits to APM Embedded O-Ring that you don't see in liquid adhesive solutions:



- O-Ring system allows full torquing with sealing integrity
- 360° metal-to-metal head-panel contact
- Seals to 20,000 psig/vacuum against internal/external gas/liquid leakage
- Ability to reuse multiple times due to minimum O-ring friction
- Temperature range: -160°F to +500°F (-106°C to +260°C)
- UL Recognized, RoHS Certified

Read our [white paper](#) *Self-Sealing Fastening Without Chemistry*.

Look for next week's newsletter to learn more
about APM Hexseal's sealing solutions!

[Download Catalogs](#)

APM Hexseal Corporation newsletter@apmhexseal.com | <http://www.apmhexseal.com>

Copyright © 2015. All Rights Reserved.

[Forward this email](#)

 SafeUnsubscribe™

This email was sent to nicole@apmhexseal.com by newsletter@apmhexseal.com |
[Update Profile/Email Address](#) | Rapid removal with [SafeUnsubscribe™](#) | [Privacy Policy](#).



APM Hexseal Corporation | 44 Honeck Street | Englewood | NJ | 07631