

SPECIFICATIONS

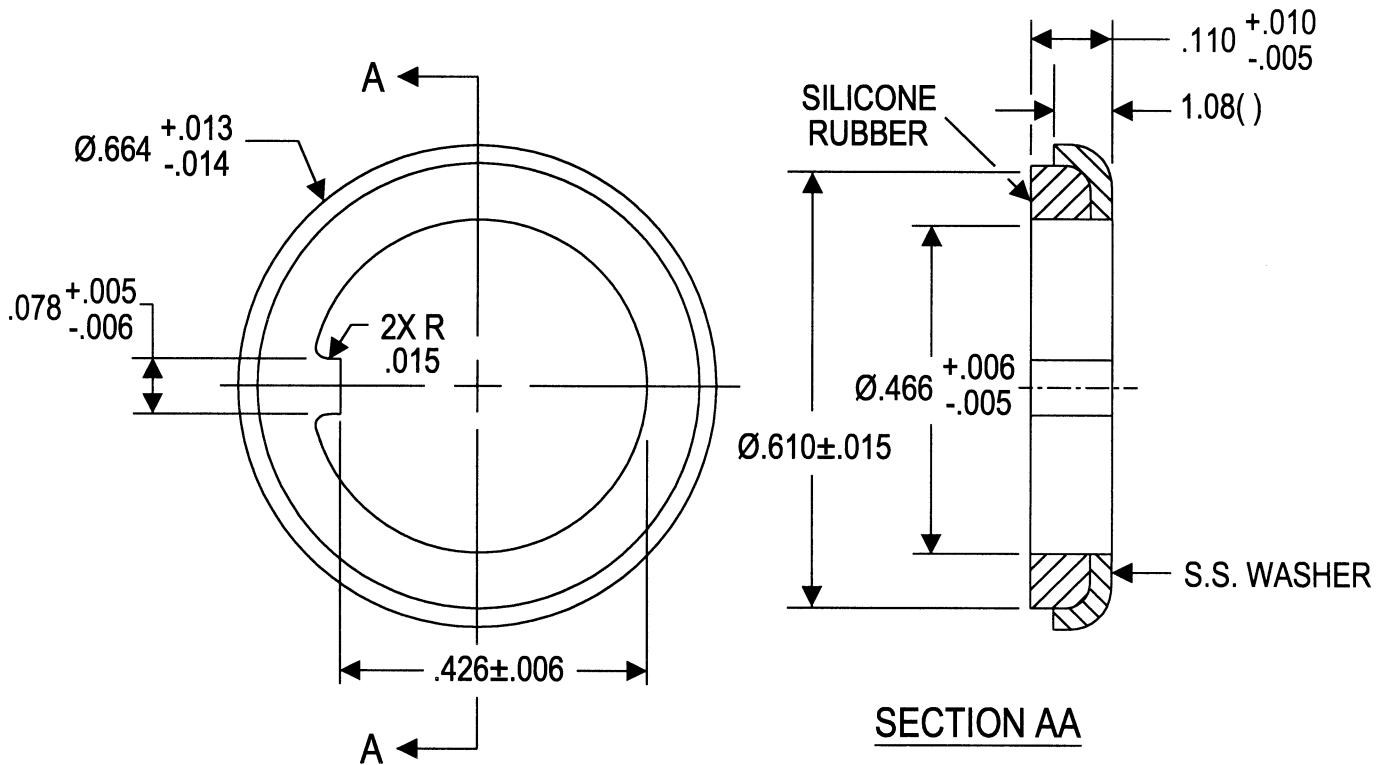
Mounting: Either Front or Behind Panel

Temperature Range: -94°F to +400°F

Shelf-Life: in excess of 25 years

Material: Stainless steel with bonded silicone rubber conforms to ZZ-R-765 Class 3

Resistant To: Salt spray, sunlight, ozone, weather, fungus, and most acids and lubricating oils



A		CAD COMPUTER GENERATED		1-10-03
REV.		DESCRIPTION		DATE
MAXIMUM AND MINIMUM MEASUREMENTS ARE STATED DIRECTLY ON EACH DIMENSION.		TITLE: PANEL BUSHING SEAL FOR SEALED SWITCHES/CIRCUIT BREAKERS		ENG. DWN. K.S. 10-10-01
MAT'L: GRAY SILICONE RUBBER		APM-HEXSEAL CORPORATION		CHKD.
FINISH: S.S. WASHER		SCALE NONE		DWG. NO. 60225

THIS DRAWING COVERS PROPRIETARY ITEM AND IS THE PROPERTY OF THE APM-HEXSEAL CORPORATION. THIS DRAWING IS NOT TO BE COPIED OR USED WITHOUT THE WRITTEN APPROVAL OF AN OFFICER OF THE APM-HEXSEAL CORPORATION.